

RAM Technologies

PFC230PC 230 WATT MEDICAL POWER SUPPLY



The PFC230PC is a 230 Watt AT medical grade power supply specifically designed for powering AT medical applications. The PFC230PC utilizes active power factor correction circuitry to conform with the EN61000-3-2 harmonic standard and EN61000-4-11 Voltage Dips and Interruptions.

Specifications

Input

Input Voltage Range: 85 to 264 VAC
Input current: 3.75A MAX
Frequency: 50/60 HZ
Inrush Current: 35A Cold
Efficiency: 75% to 80% TYP.
PFC Correction: Active > .95
Leakage Current: < 90uA @ 120 VAC 60HZ
Input Fuses: 2X 6.3A 250V Line & Neutral

Output

Maximum continuous power: 230 Watts
Hold-up Time: >40ms @ full load
Overvoltage Protection: +15% of set voltage
Overload Protection: Auto Recovery
Minimum Loading: None
Cross regulation: <0.5%
Line & Load Regulation: <0.5%
Turn on time: < 2 sec

Output (4)	+5V	+12V	-12V	-5V
PFC230PC	22A	19A	1.2A	0.5A
Ripple mV p p	50	100	100	50

Notes:

1. Total Output from +5V is 110 watts
2. Output derates from 100 VAC to 85 VAC 3.5W/Volt
3. Total output from all outputs shall not exceed 230 Watts
4. Initial voltage tolerance $\pm 3\%$

Environmental

Operational Temperature: 0 to 50°C
Storage Temperature: -40 to 80°C
Operational Humidity: 0 to 95%NC
Storage Humidity: 0 to 95%NC
Operational Altitude: -500 to 10,000 FT
Storage Altitude: -500 to 40,000 FT
MTBF: >500,000 hours @35C


EMC Compliance:

EMI: self contained EMI filtering for compliance to the following standards; (All measurements were made with unit mounted in pc chassis.)
EN61000-4-2 ESD level3
EN61000-4-3 RF susceptibility 3v/m
EN61000-4-4 EFT level3
EN61000-4-5 Surge Level3
EN61000-3-2 Harmonics
EN61000-3-3 Flicker
EN61000-4-11 Voltage Dips, Short Interruptions
EN55011 Conducted and radiated emissions

PFC230PC 230 WATT MEDICAL POWER SUPPLY

Safety

Certified to UL2601-1, (File #E191947) 1994 and the standard for medical electrical equipment, part 1: general requirements for safety, Can/CSA C22.2 No. 125-M1984 and Can/ CSA C22.2 no. 601-1-M90 and IEC 601-1. CB report

 For Continued protection equipment must be grounded at all times in accordance with the requirements of class 1 devices.

 RAM TECHNOLOGIES LLC declares that the PC and PCX power supplies are in conformity with the provisions of the low voltage directive.

Symbols Used



Attention, consult accompanying documents



Protective earth ground

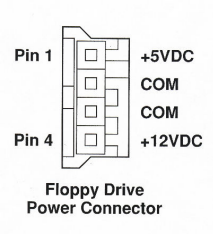
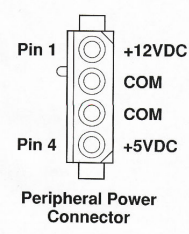
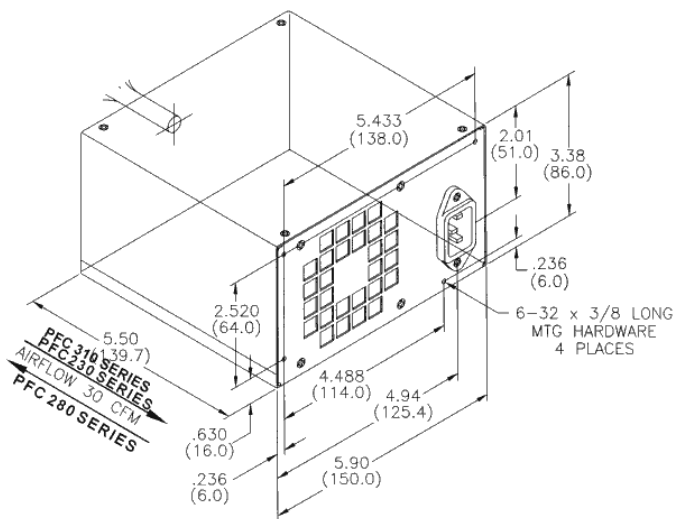
Power Good Signal

The Power Good Signal asserts itself high 200ms after all outputs have reached their operational values. Power Good Signal will go low when input stored energy can no longer support the outputs.

Warranty

3 years

Mechanical Specifications



Standard Output Connections