

RAM Technologies

PFC230/280PCX 230/280 WATT MEDICAL POWER SUPPLY



The PFC230/280PCX is a 230/280 Watt ATX medical grade power supply specifically designed for powering ATX medical applications. The PFC230/280PCX utilizes active power factor correction circuitry to conform with the EN61000-3-2 harmonic standard and EN61000-4-11 Voltage Dips and Interruptions.

Specifications

Input

Input Voltage Range:	85 to 264 VAC
Input current:	3.75A/4A PFC280PCX MAX
Frequency:	50/60 HZ
Inrush Current:	35A Cold
Efficiency:	75% to 80% TYP.
PFC Correction:	Active > .95
Leakage Current:	< 90uA @ 120 VAC 60HZ
Input Fuses:	2X 6.3A 250V Line & Neutral

Output

Maximum continuous power:	230/280 Watts					
Hold-up Time:	>40ms @ full load					
Oversvoltage Protection:	+15% of set voltage					
Overload Protection:	Auto Recovery					
Minimum Loading:	None					
Cross regulation:	<0.5%					
Line & Load Regulation:	<0.5%					
Turn on time:	< 2 sec					
Output (4)	+5V	+12V	-12V	-5V	+3.3V	+5Vsb
PFC230PCX	22A	19A	1.2A	0.5A	14A	2.0A
PFC280PCX (5)	22A	23.5A	1.2A	0.5A	14A	2.0A
Ripple mV p p	50	100	100	50	100	50

Environmental

Operational Temperature:	0 to 50°C
Storage Temperature:	-40 to 80°C
Operational Humidity:	0 to 95%NC
Storage Humidity:	0 to 95%NC
Operational Altitude:	-500 to 10,000 FT
Storage Altitude:	-500 to 40,000 FT
MTBF:	>1,000,000 hours @35C

EMC Compliance:

EMI: self contained EMI filtering for compliance to the following standards; (All measurements were made with unit mounted in pc chassis.)

- EN61000-4-2 ESD level3
- EN61000-4-3 RF susceptibility 3v/m
- EN61000-4-4 EFT level3
- EN61000-4-5 Surge Level3
- EN61000-3-2 Harmonics
- EN61000-3-3 Flicker
- EN61000-4-11 Voltage Dips, Short Interruptions
- EN55011 Conducted an radiated emissions


Notes:


1. Total Output from +5 & +3.3 145 watts
2. Output derates from 100 VAC to 85 VAC 3.5W/Volt
3. Total output from all outputs shall not exceed 230/280 Watts
4. Initial voltage tolerance $\pm 3\%$
5. The PFC280PCX draws air from outside the case.

PFC230/280PCX 230/280 WATT MEDICAL POWER SUPPLY

Safety

Certified to UL2601-1, (File #E191947) 1994 and the standard for medical electrical equipment, part 1: general requirements for safety, Can/CSA C22.2 No. 125-M1984 and Can/ CSA C22.2 no. 601-1-M90 and IEC 601-1. CB report

 For Continued protection equipment must be grounded at all times in accordance with the requirements of class 1 devices.

 RAM TECHNOLOGIES LLC declares that the PC and PCX power supplies are in conformity with the provisions of the low voltage directive.

Symbols Used



Attention, consult accompanying documents



Protective earth ground

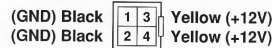
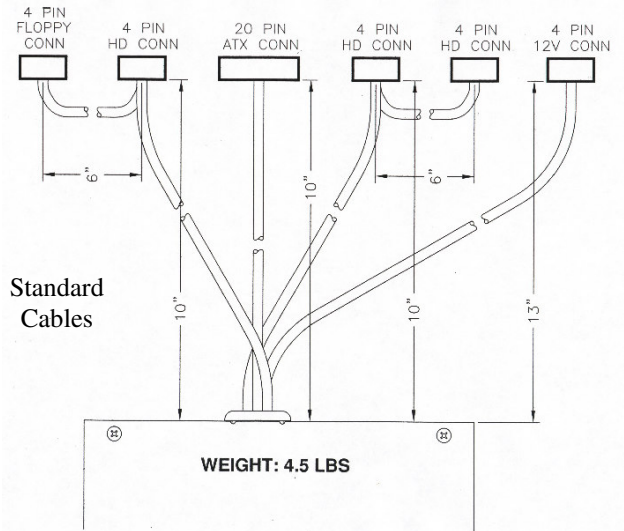
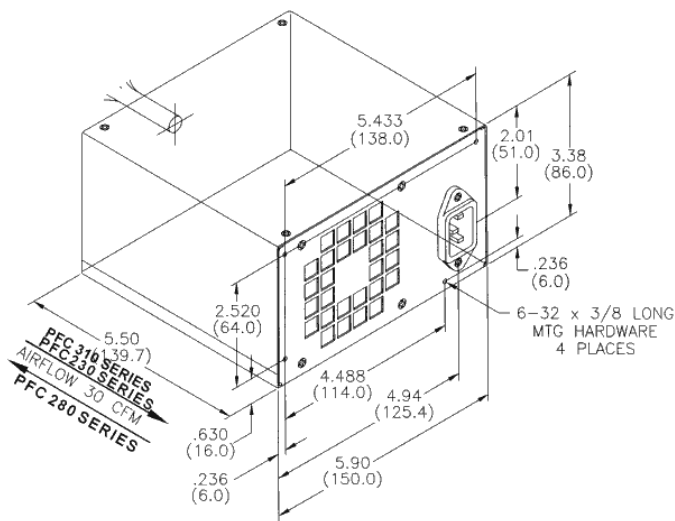
Power Good Signal

The Power Good Signal asserts itself high 200ms after all outputs have reached their operational values. Power Good Signal will go low when input stored energy can no longer support the outputs.

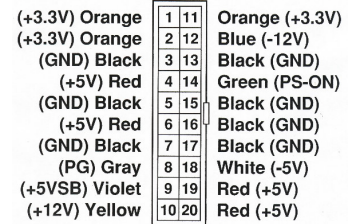
Warranty

3 years

Mechanical Specifications



ATX12V Connector



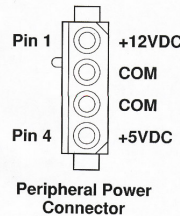
20 Pin ATX Connector

RAM P/N
#620016
Order #
0016

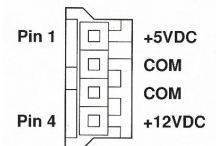
Example:
PFC400PCX-0016



24 PIN Optional
PCI-X Connector



Peripheral Power Connector



Floppy Drive Power Connector

Standard Output Connections

RAM Technologies LLC • 29 Soundview Road • Guilford CT 06437 USA.
Phone: (203) 453 3916 • Fax: (203) 453 3913 • Email: info@ramtechno.com

www.ramtechno.com