

# RAM Technologies

## PFC200SFX 200 WATT MEDICAL POWER SUPPLY



The PFC200SFX is a 200 Watt SFX medical grade power supply specifically designed for powering SFX medical applications. The PFC200SFX exceeds the SFX12V version 3.0 standard including PCI express. Active power factor correction insures conformance to EN61000-3-2 harmonic standard and EN61000-4-11 Voltage Dips and Interruptions.

### Specifications

#### Input

Input Voltage Range: 85 to 264 VAC  
Input current: 3 A MAX  
Frequency: 50/60 HZ  
Inrush Current: 35A Cold  
Efficiency: 75% to 80% TYP.  
PFC Correction: Active > .95  
Leakage Current: < 90uA @ 120 VAC 60HZ  
Input Fuses: 2X 5A 250V Line & Neutral

#### Output

Maximum continuous power: 200 Watts  
Hold-up Time: >40ms @ full load  
Overvoltage Protection: +15% of set voltage  
Overload Protection: Auto Recovery  
Minimum Loading: None  
Cross regulation: <0.5%  
Line & Load Regulation: <0.5%  
Turn on time: < 2 sec

Output (4)	+5V	+12V	-12V	-5V	+3.3V	+5Vsb
PFC200SFX	18A	12A	1A	0.5A	15A	2.0A
Ripple mV p p	50	100	100	50	100	50

#### Environmental

Operational Temperature: 0 to 50°C  
Storage Temperature: -40 to 80°C  
Operational Humidity: 0 to 95%NC  
Storage Humidity: 0 to 95%NC  
Operational Altitude: -500 to 10,000 FT  
Storage Altitude: -500 to 40,000 FT  
MTBF: >1,000,000 hours @35C

#### EMC Compliance:

EMI: self contained EMI filtering for compliance to the following standards; (All measurements were made with unit mounted in pc chassis.)  
EN61000-4-2 ESD level3  
EN61000-4-3 RF susceptibility 3v/m  
EN61000-4-4 EFT level3  
EN61000-4-5 Surge Level3  
EN61000-3-2 Harmonics  
EN61000-3-3 Flicker  
EN61000-4-11 Voltage Dips, Short Interruptions  
EN55011 Conducted and radiated emissions


#### Notes:


1. Total Output from +5 & +3.3 125 watts
2. Output derates from 100 VAC to 85 VAC 3.5W/Volt
3. Total output from all outputs shall not exceed 200 Watts
4. Initial voltage tolerance  $\pm 3\%$

# PFC200SFX 200 WATT MEDICAL POWER SUPPLY

## Safety

Certified to UL2601-1, (File #E191947) 1994 and the standard for medical electrical equipment, part 1: general requirements for safety, Can/CSA C22.2 No. 125-M1984 and Can/ CSA C22.2 no. 601-1-M90 and IEC 601-1. CB report

 For Continued protection equipment must be grounded at all times in accordance with the requirements of class 1 devices.

 RAM TECHNOLOGIES LLC declares that the PC and PCX power supplies are in conformity with the provisions of the low voltage directive.

## Symbols Used



Attention, consult accompanying documents



Protective earth ground

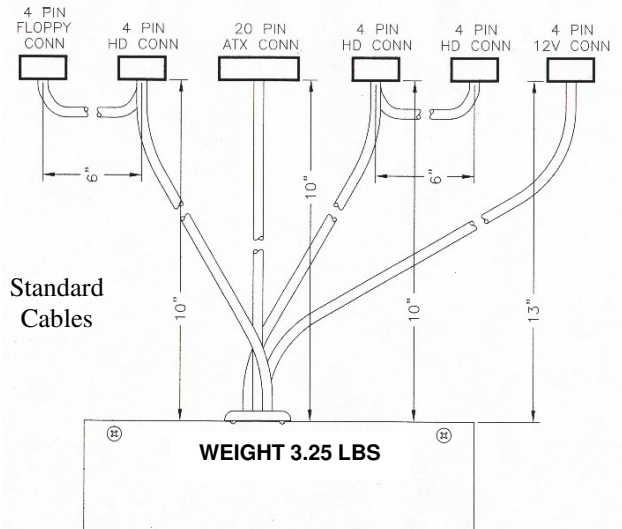
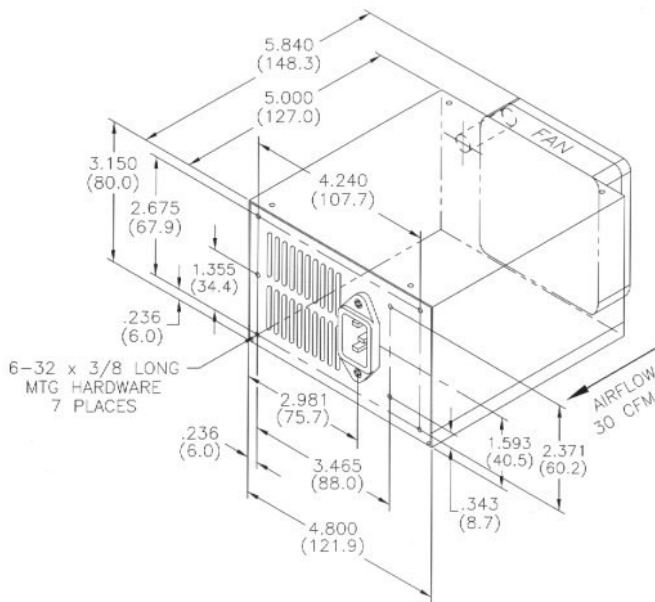
## Power Good Signal

The Power Good Signal asserts itself high 200ms after all outputs have reached their operational values. Power Good Signal will go low when input stored energy can no longer support the outputs.

## Warranty

3 years

# Mechanical Specifications



(GND) Black	1	3	Yellow (+12V)
(GND) Black	2	4	Yellow (+12V)

ATX12V Connector

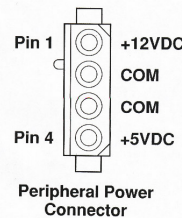
(+3.3V) Orange	1	11	Orange (+3.3V)
(+3.3V) Orange	2	12	Blue (-12V)
(GND) Black	3	13	Black (GND)
(+5V) Red	4	14	Green (PS-ON)
(GND) Black	5	15	Black (GND)
(+5V) Red	6	16	Black (GND)
(GND) Black	7	17	Black (GND)
(PG) Gray	8	18	White (-5V)
(+5VSB) Violet	9	19	Red (+5V)
(+12V) Yellow	10	20	Red (+5V)

20 Pin ATX Connector

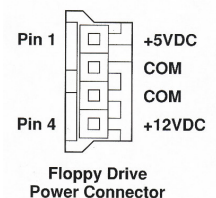
RAM P/N  
#620016  
Order #  
0016

(+3.3V) Orange	1	13	Orange (+3.3V)
(+3.3V) Orange	2	14	Blue (-12V)
(GND) Black	3	15	Black (GND)
(+5V) Red	4	16	Green (PS-ON)
(GND) Black	5	17	Black (GND)
(+5V) Red	6	18	Black (GND)
(GND) Black	7	19	Black (GND)
(PG) Gray	8	20	White (-5V)
(+5VSB) Violet	9	21	Red (+5V)
(+12V) Yellow	10	22	Red (+5V)
(+12V) Yellow	11	23	Red (+5V)
(+3.3V) Orange	12	24	Black (GND)

24 PIN Optional  
PCI-X Connector



Peripheral Power Connector



Floppy Drive Power Connector

Standard Output Connections

Example:  
PFC200SFX-0016

RAM Technologies LLC • 29 Soundview Road • Guilford CT 06437 USA.  
Phone: (203) 453 3916 • Fax: (203) 453 3913 • Email: info@ramtechno.com

www.ramtechno.com