

RAM Technologies

PFC175SFX 175 WATT MEDICAL POWER SUPPLY



The PFC175SFX is a 175 Watt SFX medical grade power supply specifically designed for powering SFX medical applications. The PFC175SFX exceeds the SFX12V version 3.0 standard including PCI express. Active power factor correction insures conformance to EN61000-3-2 harmonic standard and EN61000-4-11 Voltage Dips and Interruptions.

Specifications

Input

Input Voltage Range: 85 to 264 VAC
Input current: 2.5 A MAX
Frequency: 50/60 HZ
Inrush Current: 35A Cold
Efficiency: 75% to 80% TYP.
PFC Correction: Active > .95
Leakage Current: < 90uA @ 120 VAC 60HZ
Input Fuses: 2X 5A 250V Line & Neutral

Output

Maximum continuous power: 175 Watts
Hold-up Time: >40ms @ full load
Overvoltage Protection: +15% of set voltage
Overload Protection: Auto Recovery
Minimum Loading: None
Cross regulation: <0.5%
Line & Load Regulation: <0.5%
Turn on time: < 2 sec

Output (4)	+5V	+12V	-12V	-5V	+3.3V	+5Vsb
PFC175SFX	15A	10A	1A	0.5A	15A	2.0A
Ripple mV p p	50	100	100	50	100	50

Notes:

1. Total Output from +5 & +3.3 125 watts
2. Output derates from 100 VAC to 85 VAC 3.5W/Volt
3. Total output from all outputs shall not exceed 175 Watts
4. Initial voltage tolerance $\pm 3\%$

Environmental

Operational Temperature: 0 to 50°C
Storage Temperature: -40 to 80°C
Operational Humidity: 0 to 95%NC
Storage Humidity: 0 to 95%NC
Operational Altitude: -500 to 10,000 FT
Storage Altitude: -500 to 40,000 FT
MTBF: >1,000,000 hours @35C


EMC Compliance:

EMI: self contained EMI filtering for compliance to the following standards; (All measurements were made with unit mounted in pc chassis.)
EN61000-4-2 ESD level3
EN61000-4-3 RF susceptibility 3v/m
EN61000-4-4 EFT level3
EN61000-4-5 Surge Level3
EN61000-3-2 Harmonics
EN61000-3-3 Flicker
EN61000-4-11 Voltage Dips, Short Interruptions
EN55011 Conducted an radiated emissions

PFC175SFX 175 WATT MEDICAL POWER SUPPLY

Safety

Certified to UL2601-1, (File #E191947) 1994 and the standard for medical electrical equipment, part 1: general requirements for safety, Can/CSA C22.2 No. 125-M1984 and Can/ CSA C22.2 no. 601-1-M90 and IEC 601-1. CB report

 For Continued protection equipment must be grounded at all times in accordance with the requirements of class 1 devices.

 RAM TECHNOLOGIES LLC declares that the PC and PCX power supplies are in conformity with the provisions of the low voltage directive.

Symbols Used



Attention, consult accompanying documents



Protective earth ground

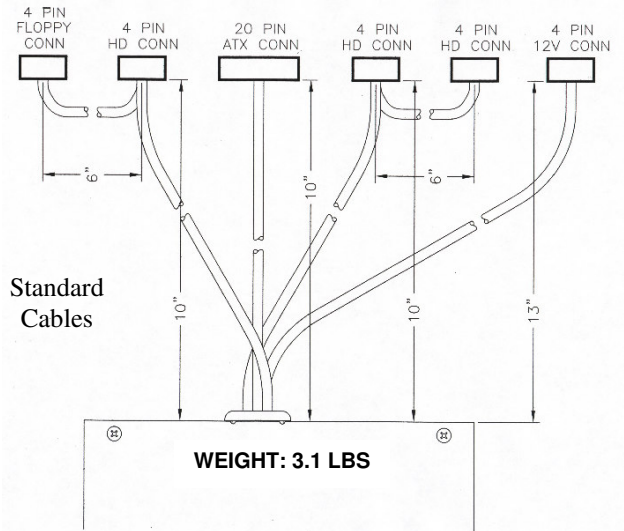
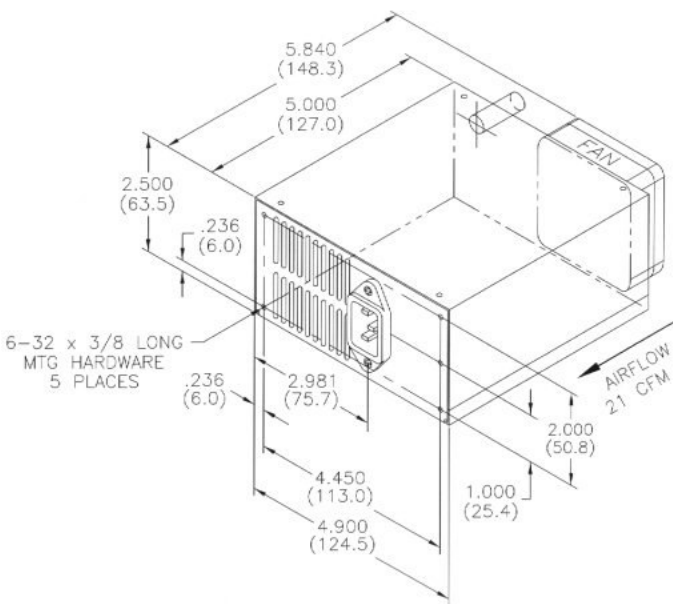
Power Good Signal

The Power Good Signal asserts itself high 200ms after all outputs have reached their operational values. Power Good Signal will go low when input stored energy can no longer support the outputs.

Warranty

3 years

Mechanical Specifications



(GND) Black	1	3	Yellow (+12V)
(GND) Black	2	4	Yellow (+12V)

ATX12V Connector

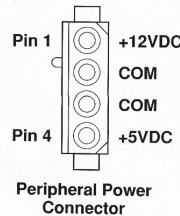
(+3.3V) Orange	1	11	Orange (+3.3V)
(+3.3V) Orange	2	12	Blue (-12V)
(GND) Black	3	13	Black (GND)
(+5V) Red	4	14	Green (PS-ON)
(GND) Black	5	15	Black (GND)
(+5V) Red	6	16	Black (GND)
(GND) Black	7	17	Black (GND)
(PG) Gray	8	18	White (-5V)
(+5VSB) Violet	9	19	Red (+5V)
(+12V) Yellow	10	20	Red (+5V)

20 Pin ATX Connector

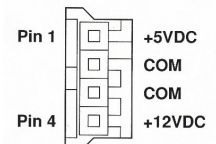
RAM P/N
#620016
Order #
0016

(+3.3V) Orange	1	13	Orange (+3.3V)
(+3.3V) Orange	2	14	Blue (-12V)
(GND) Black	3	15	Black (GND)
(+5V) Red	4	16	Green (PS-ON)
(GND) Black	5	17	Black (GND)
(+5V) Red	6	18	Black (GND)
(GND) Black	7	19	Black (GND)
(PG) Gray	8	20	White (-5V)
(+5VSB) Violet	9	21	Red (+5V)
(+12V) Yellow	10	22	Red (+5V)
(+12V) Yellow	11	23	Red (+5V)
(+3.3V) Orange	12	24	Black (GND)

24 PIN Optional
PCI-X Connector



Peripheral Power Connector



Floppy Drive Power Connector

Standard Output Connections

Example:
PFC175SFX-0016